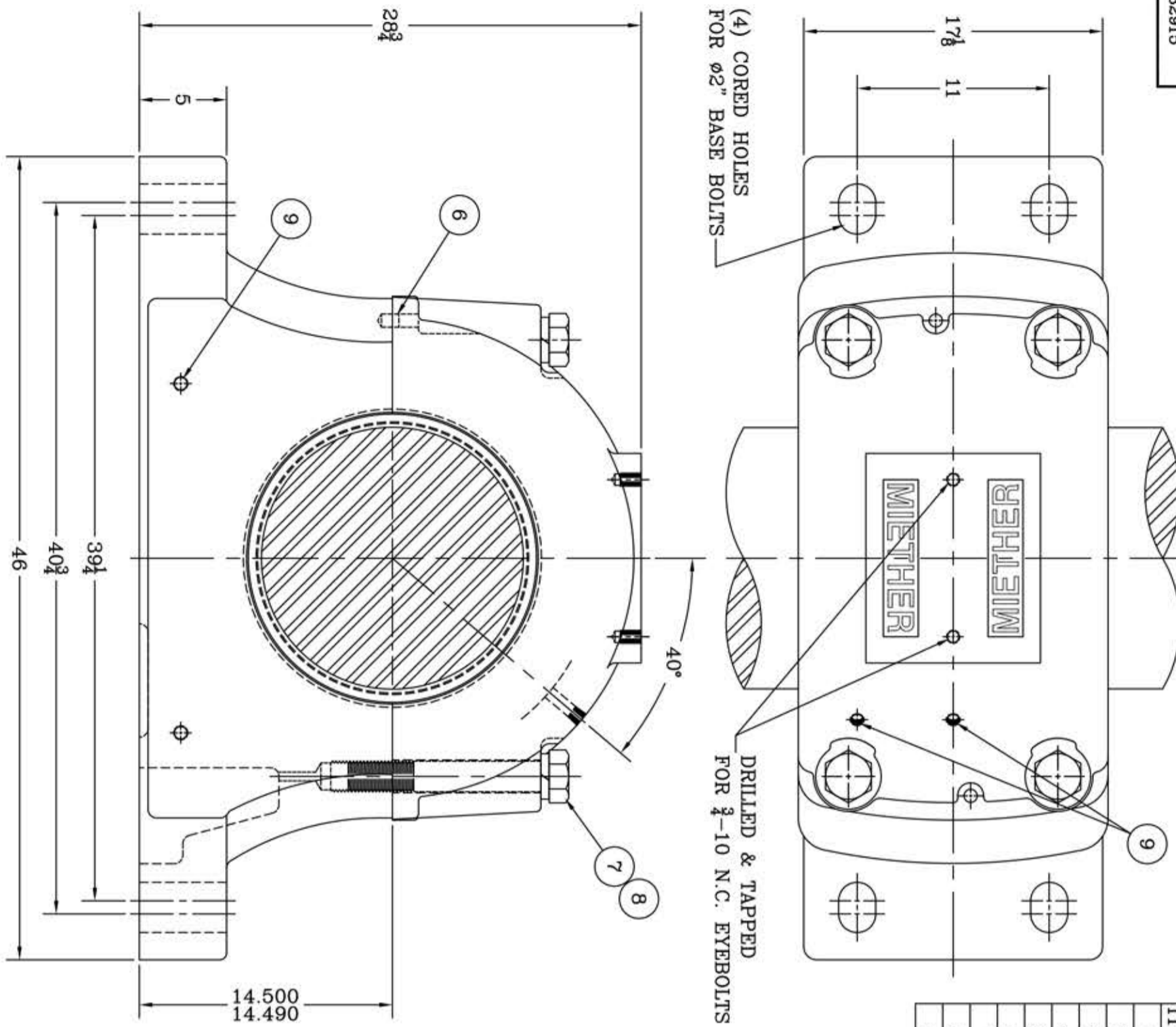
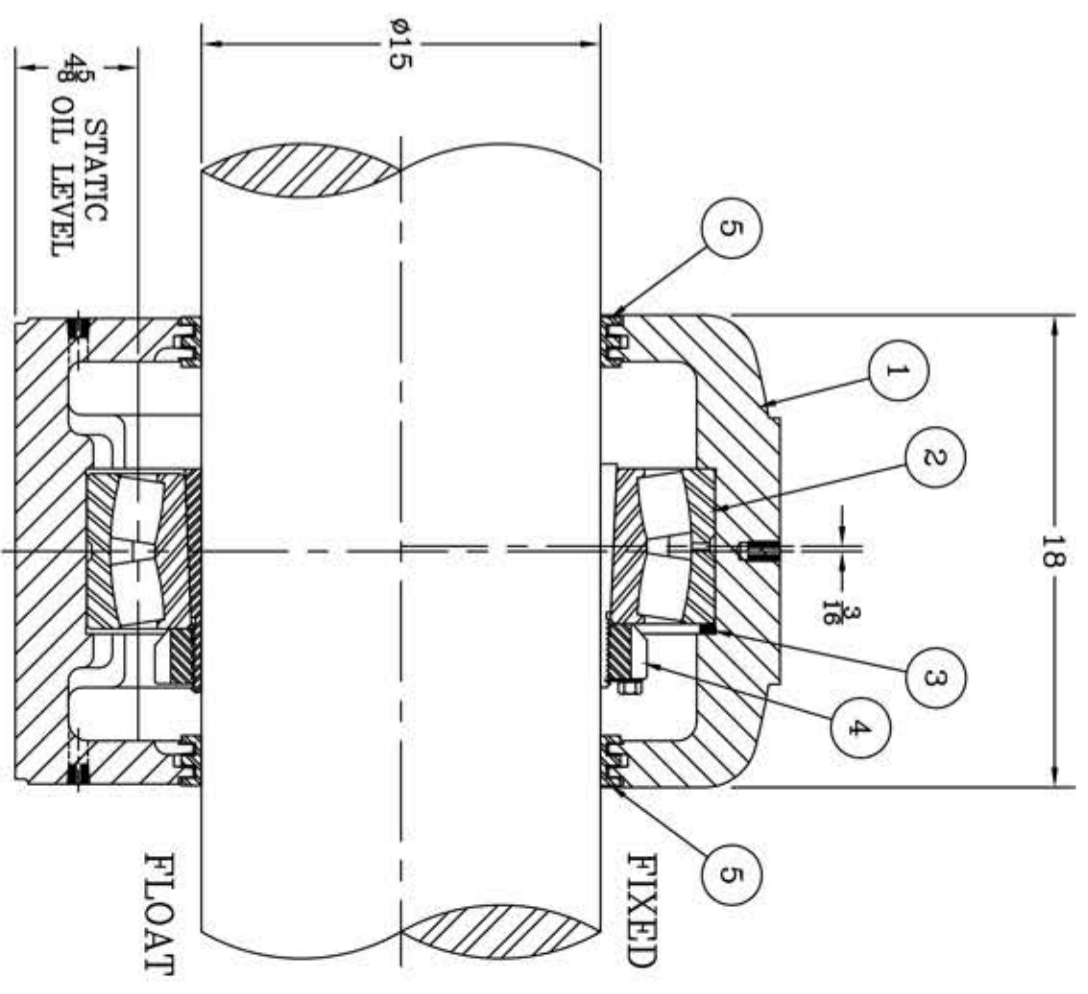


This drawing is the sole property of Miether Bearing Products and contains confidential and proprietary information. It is being provided to you for your use and may not be disclosed to any third party or used for any other purpose without Miether's prior written consent. The [materials] must be returned to the Company upon its demand. Your acceptance of these materials constitutes your acceptance of the foregoing terms.

C-32915



ITEM	DESCRIPTION	DETAIL	REQUIRED
1	HOUSING SDAF 080 K 15-00	C-21217-R	1 1
2	SPHERICAL ROLLER BEARING 23080K/W-33		1 1
3	STABILIZING RING A8974	A-19945	1 0
4	ADAPTER SNP-3080 15-00	24285	1 1
5	TRIPLE SEAL RING ER 847	A-16554	2 2
6	DOWEL Ø 3/4 x 1" LONG		2 2
7	CAP BOLT HEX. HEAD 1 1/2-5 NC x 1 1/2" LG		4 4
8	LOCKWASHER 1 1/2 SPLIT MED.		4 4
9	PIPE PLUG 1/2-14 NPT		6 6




REVISIONS

SYMBOL	DESCRIPTION
✓	
∇	
∇	
∇	
∇	
∇	
∇	
∇	
∇	
∇	

TOLERANCE: UNLESS OTHERWISE SPECIFIED
 FRACTIONS ± 1/32" ANGLES ± 0° 30'
 DECIMALS ± .005 WELD ± 1/16"
 CASTING ± 1/16"

A.I.S.I. STANDARD FINISHES
 MICRO-INCH VALUE: 16 32 63 125 250 500 1000


 AN ALCO INDUSTRIES COMPANY
 BEARING PRODUCTS
 ODESSA, TX. USA

SDAF 23080 K 15-00
 ASSEMBLY DRAWING
 SCALE 1 = 5
 DRAWN KAB
 DATE 12/15/06
 CHECK:

ASSEMBLY NO.
 DRAWING NO. C-32915